



# Parts Manual

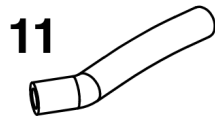
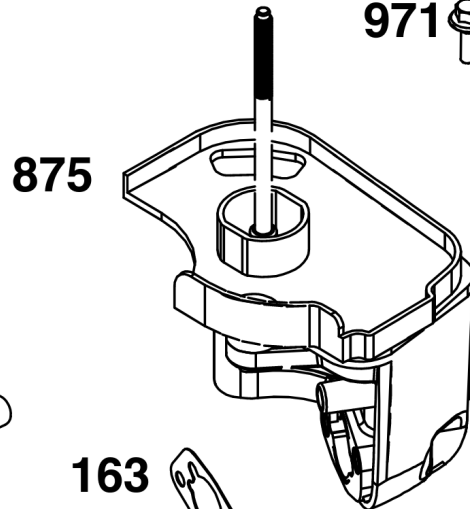
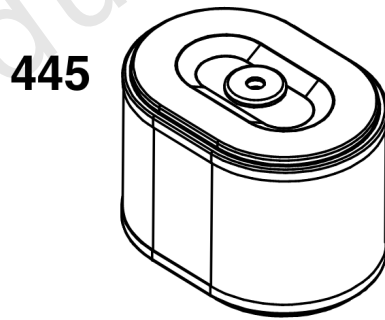
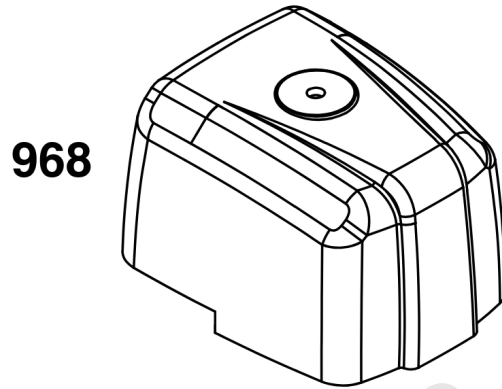
Mfg. No: 13R232-0056-F1



---

<b>Model Components</b>	<b>Page</b>
Air Cleaner Group.....	4
Blower Housing Group.....	6
Carburetor Group.....	8
Controls Group.....	10
Crankcase Cover/Sump Group.....	12
Crankshaft Group.....	14
Cylinder Group.....	16
Cylinder Head Group.....	18
Exhaust Group.....	20
Flywheel, Ignition, and Starter Group.....	22
Fuel Supply Group.....	24
Lubrication Group.....	26
Replacement Engine - US & Canada.....	28

Not For  
Reproduction



Not For  
Reproduction

## *Air Cleaner Group*

REF NO	PART NO	QTY	DESCRIPTION
11	590698	1	TUBE, Breather
163	590605	1	GASKET, Air Cleaner
176	590695	1	SEAL, O-Ring -(Air Cleaner Base)
412	590697	1	NUT -(Air Cleaner Cover)
445	595435	1	FILTER, A/C Cartridge
467	691985	1	KNOB, Air Cleaner Cover
654	-----	2	NUT -(Part information located in Carburetor Group.)
875	84007293	1	BASE, Air Cleaner
968	597384	1	COVER, Air Cleaner
971	590643	1	SCREW -(Air Cleaner Base to Carburetor/Throttle Body)

Not For Reproduction

**1036**



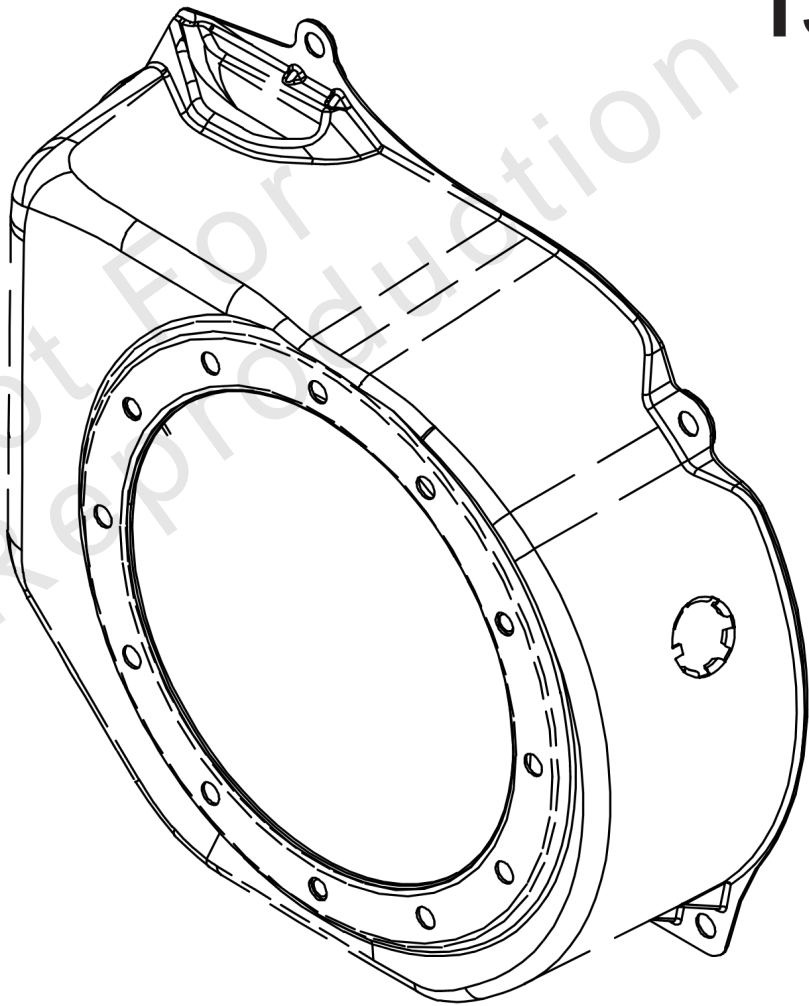
**1319**



**1319A**



**304**



**305**



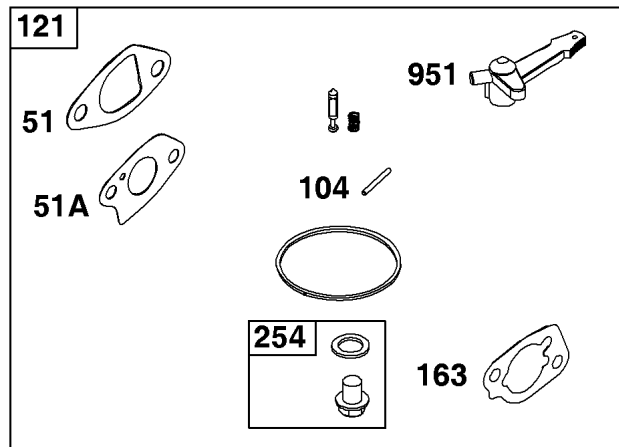
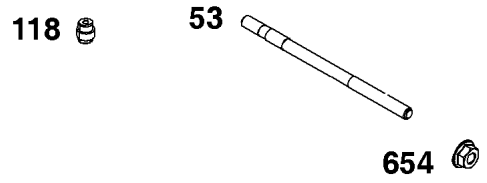
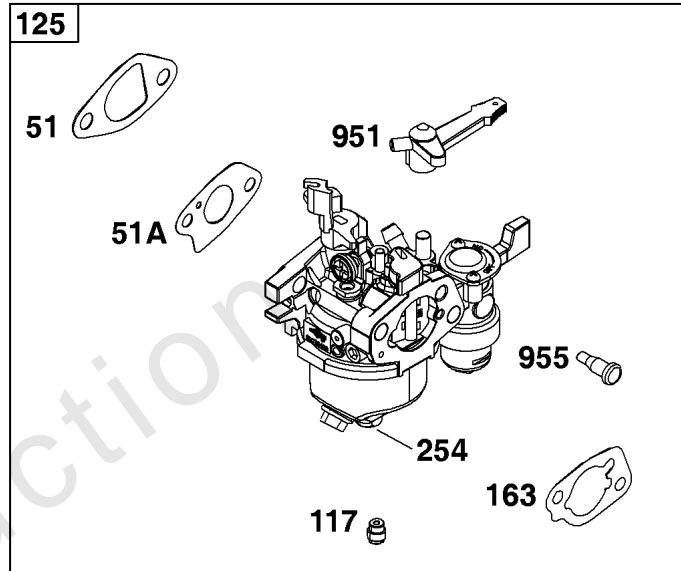
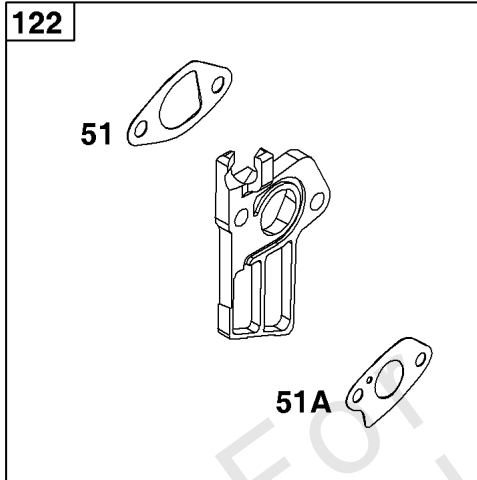
**305A**



## ***Blower Housing Group***

<b>REF NO</b>	<b>PART NO</b>	<b>QTY</b>	<b>DESCRIPTION</b>
304	84007295	1	HOUSING, Blower
305	590850	4	SCREW -(Blower Housing)
305A	597078	4	SCREW -(Blower Housing)
1036	-----	1	LABEL, Emissions -(Available from a Briggs & Stratton Authorized Dealer)
1319	794467	1	LABEL, Warning -(REQUIRED When Replacing Parts With Warning Labels Affixed)
1319A	797669	1	LABEL, Warning -(REQUIRED When Replacing Parts With Warning Labels Affixed)

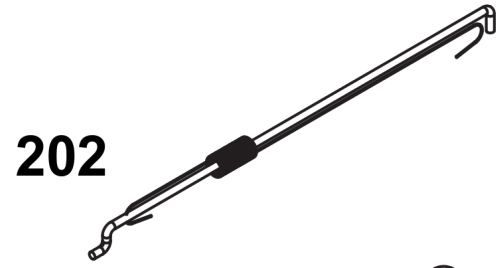
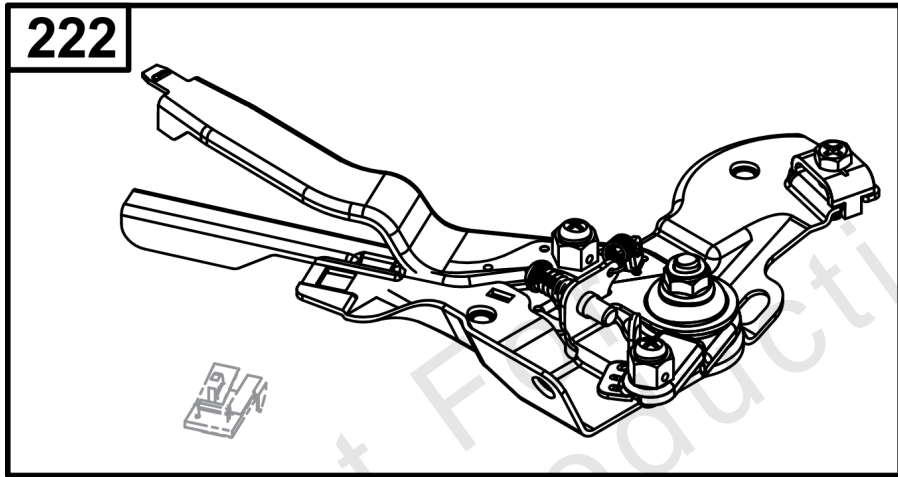
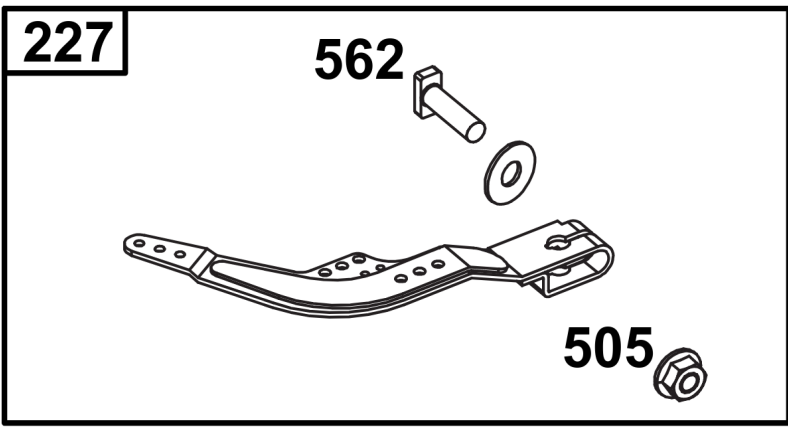
Not For Reproduction





## Carburetor Group

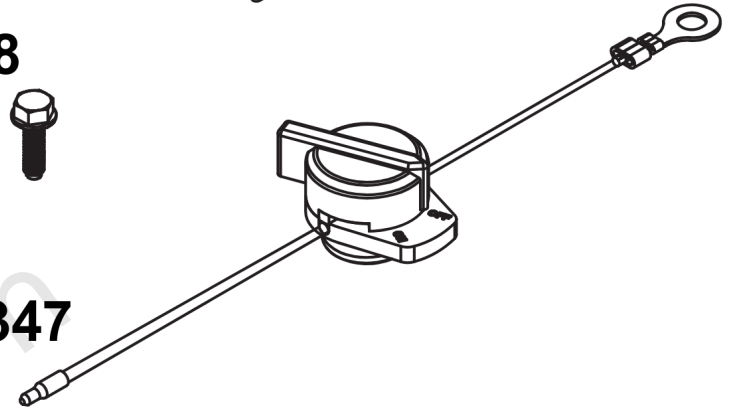
REF NO	PART NO	QTY	DESCRIPTION
51	-----	1	GASKET, Intake -(Part information located in Cylinder Head Group.)
51A	-----	1	GASKET, Intake -(Part information located in Cylinder Head Group.)
53	590691	2	STUD -(Carburetor)
104	592486	1	PIN, Float Hinge
117	591861	1	JET, Main -(Standard)
118	592875	1	JET, Main -(High Altitude)
121	594958	1	KIT, Carburetor Overhaul -(Service Kits may include extra parts not specific to this engine.)
122	590615	1	SPACER, Carburetor
125	596080	1	CARBURETOR
163	-----	1	GASKET, Air Cleaner -(Part information located in Air Cleaner Group.)
254	592493	1	DRAIN, Carburetor Bowl
654	590692	2	NUT -(Carburetor)
951	590614	1	LEVER, Choke
955	595329	1	PLUG, Carburetor



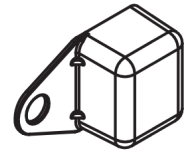
188



347



286

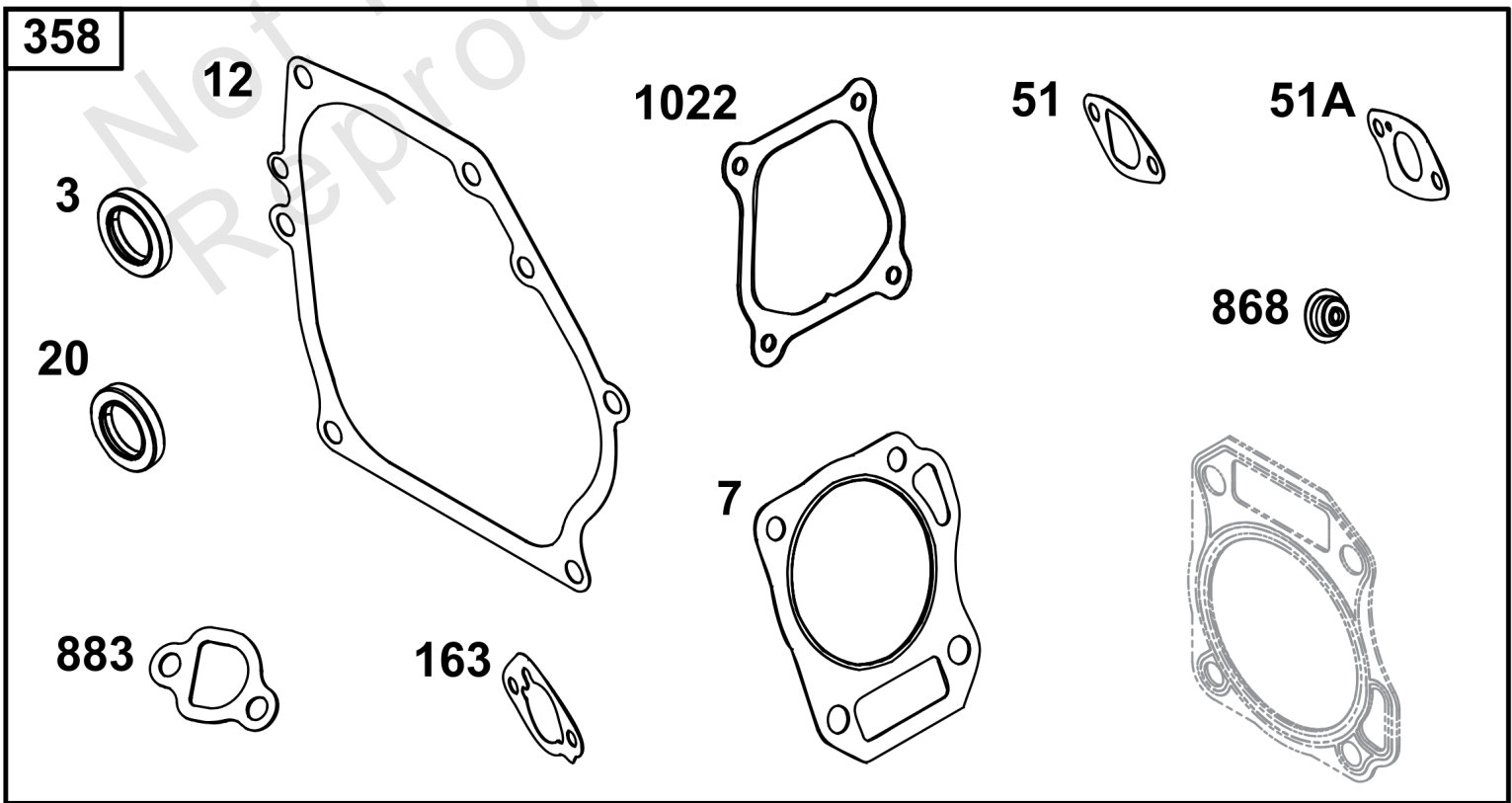
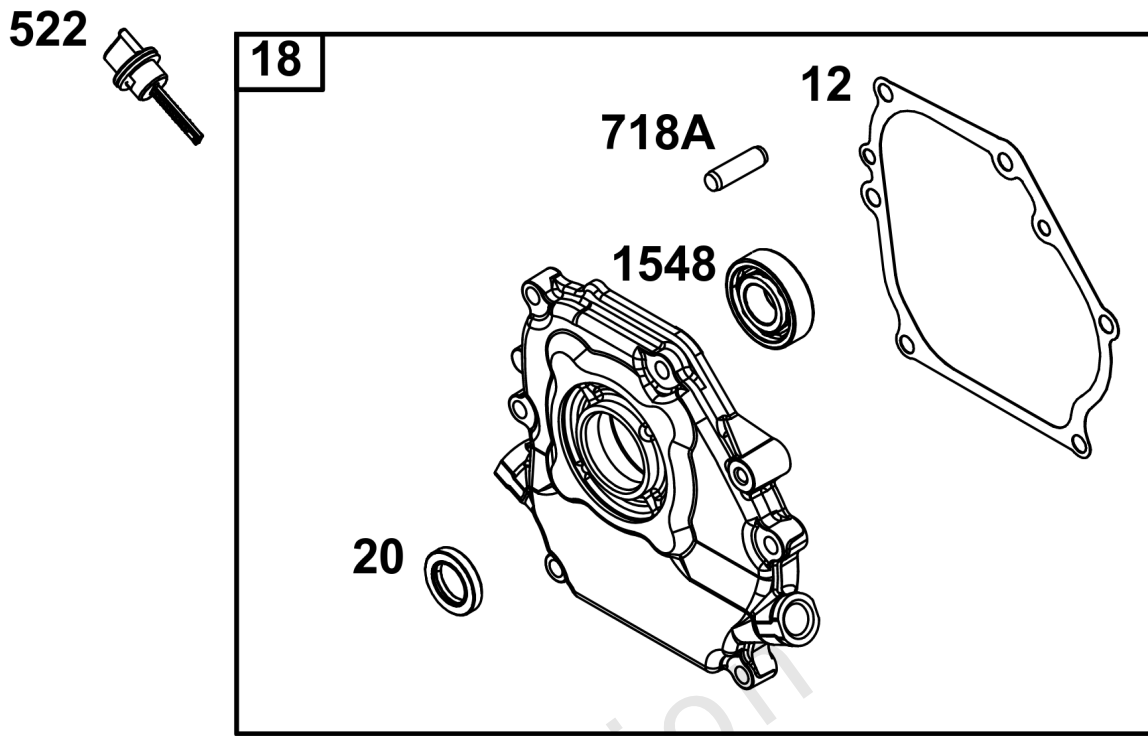


Not For Reproduction

## Controls Group

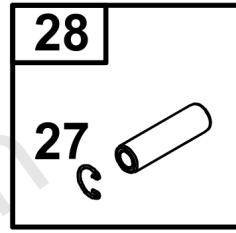
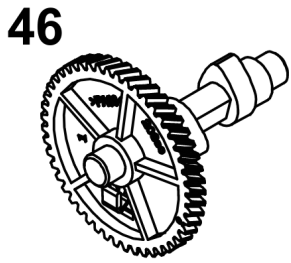
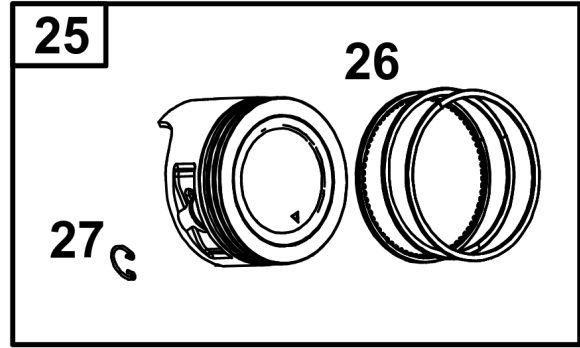
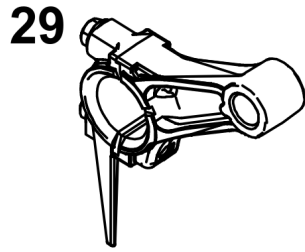
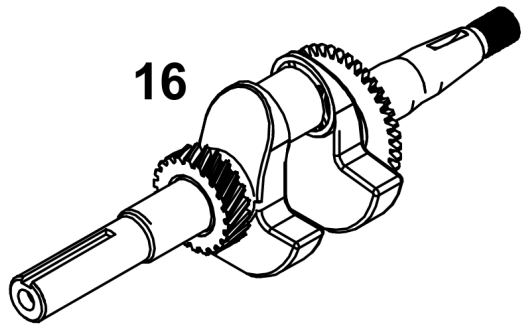
REF NO	PART NO	QTY	DESCRIPTION
188	590850	2	SCREW -(Control Bracket)
202	592866	1	LINK, Mechanical Governor
209	590623	1	SPRING, Governor
222	84007479	1	BRACKET, Control
227	590660	1	LEVER, Governor Control
286	594949	1	MODULE, Oil Sensor
347	597430	1	SWITCH, Rocker
505	590641	1	NUT -(Governor Control Lever)
562	590640	1	BOLT -(Governor Control Lever)

Not For Reproduction



## Crankcase Cover/Sump Group

REF NO	PART NO	QTY	DESCRIPTION
3	-----	1	SEAL, Oil -(Part information located in Cylinder Group.)
7	-----	1	GASKET, Cylinder Head -(Part information located in Cylinder Head Group.)
12	590608	1	GASKET, Crankcase
18	84002446	1	COVER, Crankcase
20	590712	1	SEAL, Oil -(PTO Side)
22	590714	6	SCREW -(Crankcase Cover/Sump)
51	-----	1	GASKET, Intake -(Part information located in Cylinder Head Group.)
51A	-----	1	GASKET, Intake -(Part information located in Cylinder Head Group.)
163	-----	1	GASKET, Air Cleaner -(Part information located in Air Cleaner Group.)
358	594951	1	GASKET SET, Engine -(Service Kits can include parts not for this engine.)
522	-----	2	PLUG, Dipstick/Fill -(Part information located in Lubrication Group.)
718A	-----	2	PIN, Locating -(Part information located in Cylinder Group.)
868	-----	1	SEAL, Valve -(Part information located in Cylinder Head Group.)
883	-----	1	GASKET, Exhaust -(Part information located in Exhaust Group.)
1022	-----	1	GASKET, Rocker Cover -(Part information located in Cylinder Head Group.)
1548	590715	1	BEARING, Ball -(Crankcase Cover/Sump)

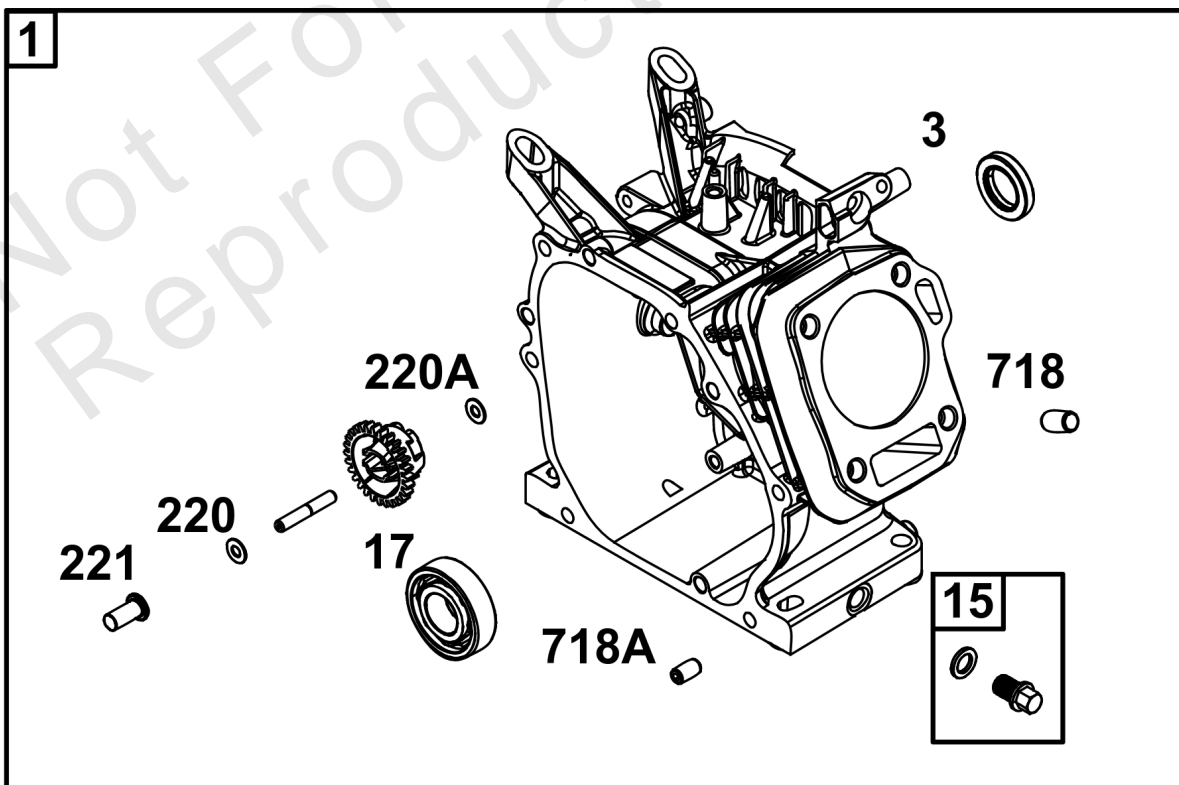
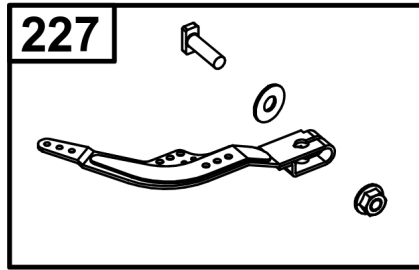


Not For  
Reproduction

## ***Crankshaft Group***

<b>REF NO</b>	<b>PART NO</b>	<b>QTY</b>	<b>DESCRIPTION</b>
16	84006733	1	CRANKSHAFT
25	84002533	1	PISTON ASSEMBLY
25	84004260	1	PISTON ASSEMBLY - (.020" Oversize)
26	592957	1	SET, Ring
26	592958	1	SET, Ring - (.020" Oversize)
27	590664	2	LOCK, Piston Pin
28	590663	1	PIN, Piston
29	84002448	1	ROD, Connecting
46	595562	1	CAMSHAFT
357	798305	1	KEY, Drive Pulley

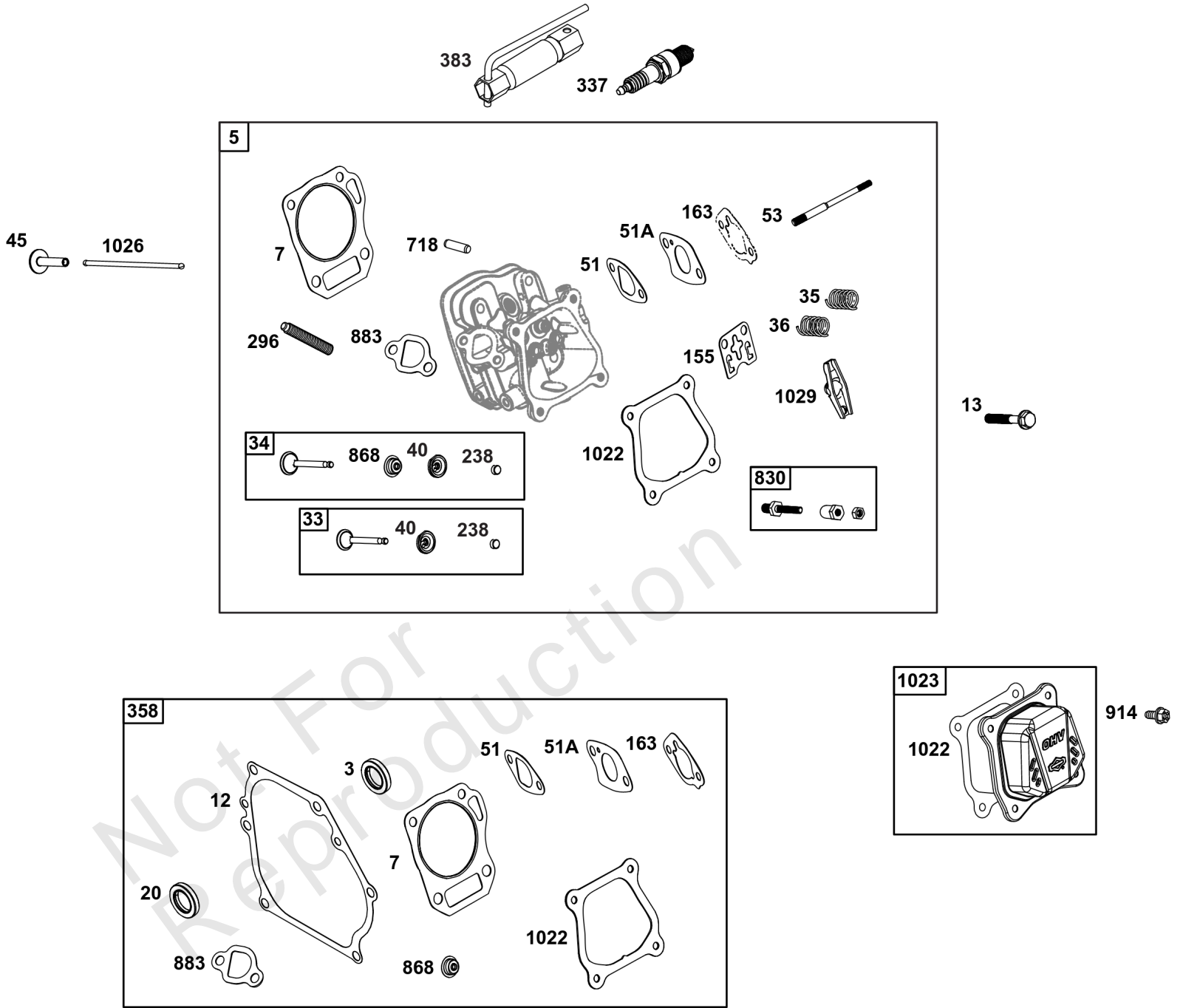
Not For Reproduction





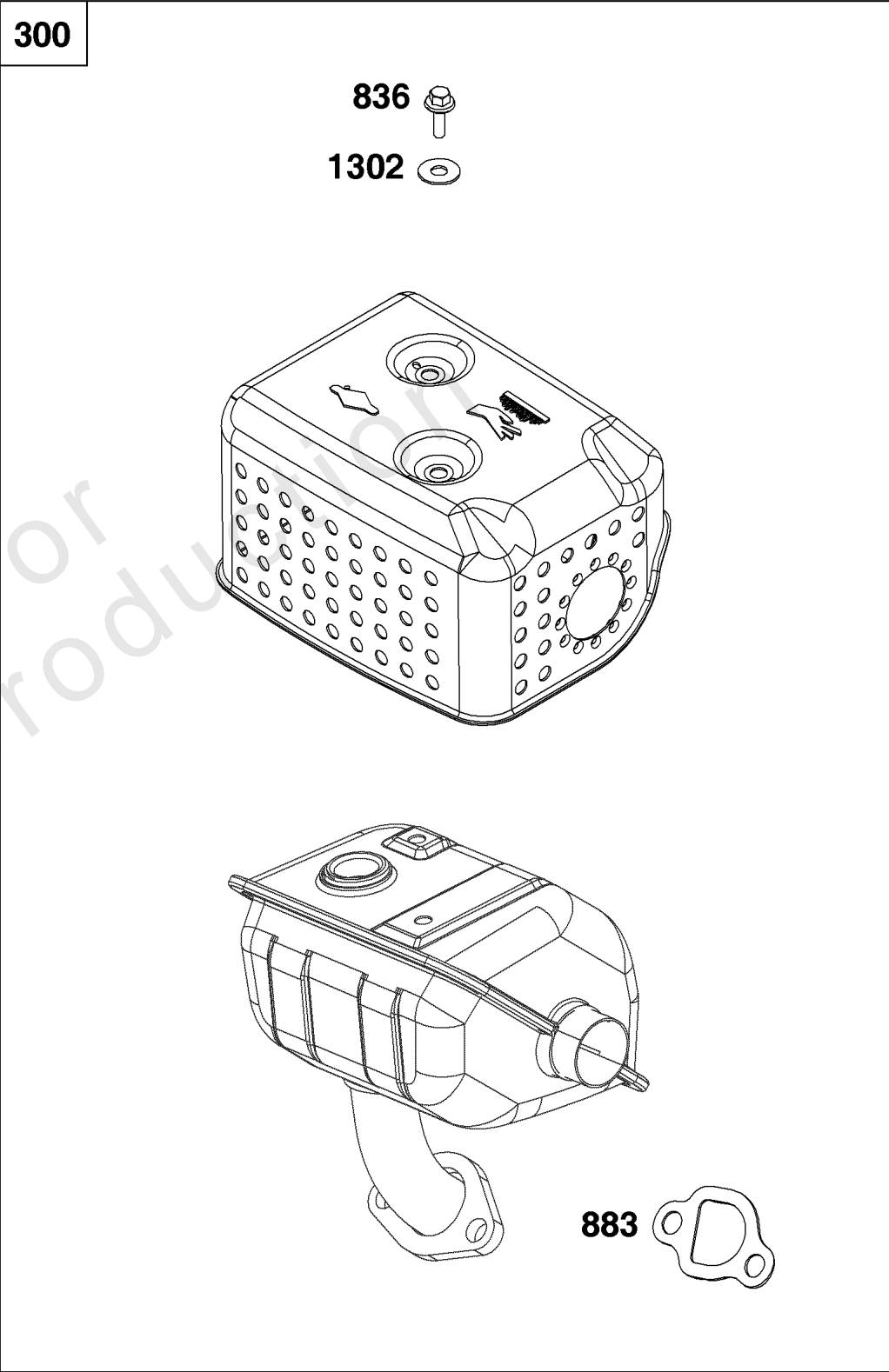
## Cylinder Group

REF NO	PART NO	QTY	DESCRIPTION
1	84002437	1	CYLINDER ASSEMBLY
3	590712	1	SEAL, Oil -(Magneto Side)
15	590678	2	PLUG, Oil Drain
17	590715	1	BEARING, Ball -(Cylinder)
220	590677	1	WASHER -(Governor Gear)
220A	590675	1	WASHER -(Governor Gear)
221	590676	1	CUP, Governor
227	-----	1	LEVER, Governor Control -(Part information located in Controls Group.)
306	590636	1	SHIELD, Cylinder
307	590683	2	SCREW -(Cylinder Shield)
404	590669	1	WASHER -(Governor Crank)
614	590670	1	PIN, Cotter
616	590668	1	CRANK, Governor
718	590637	2	PIN, Locating
718A	590713	2	PIN, Locating



## Cylinder Head Group

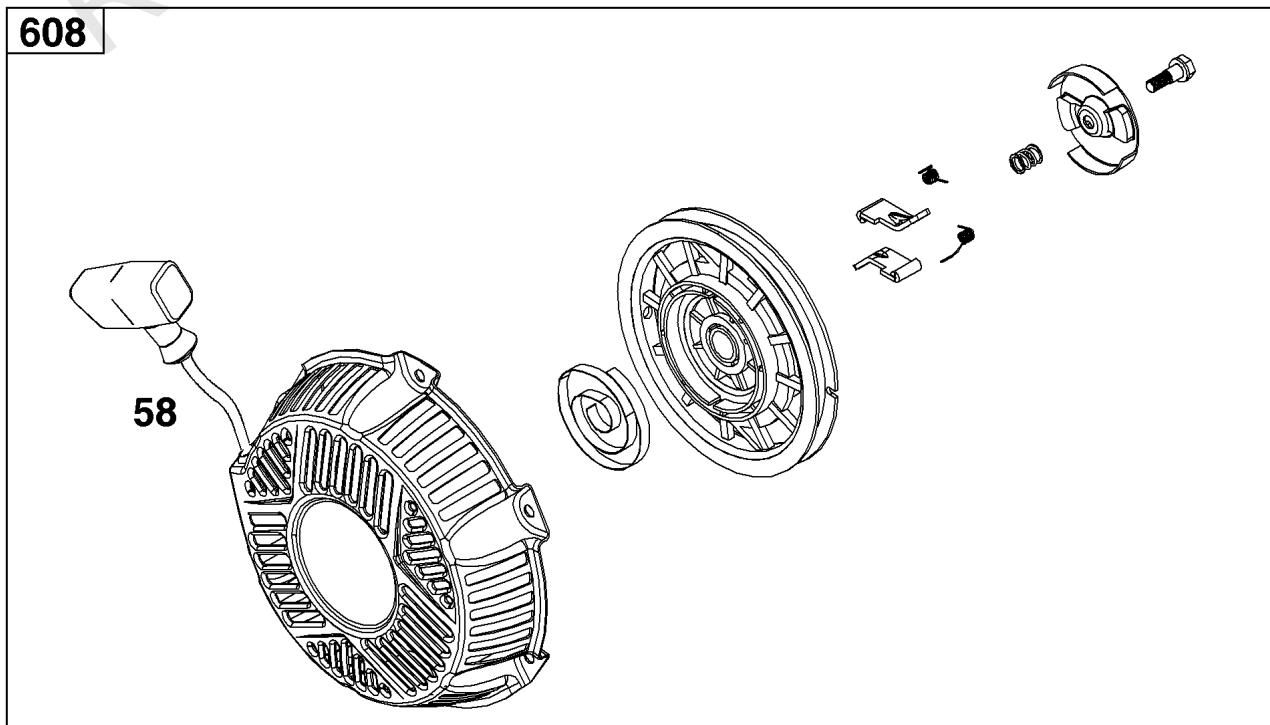
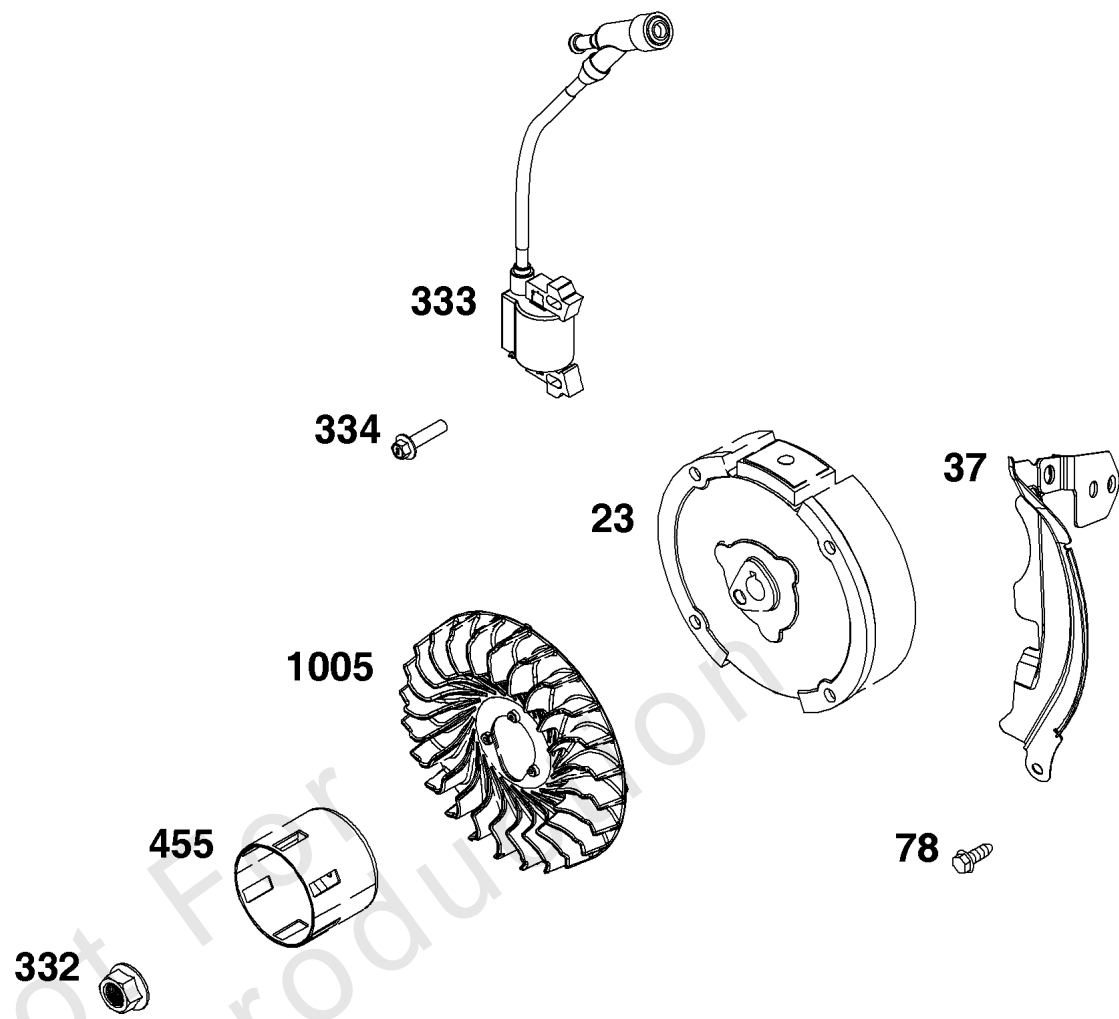
REF NO	PART NO	QTY	DESCRIPTION
3	-----	1	SEAL, Oil -(Part information located in Cylinder Group.)
5	84002435	1	HEAD, Cylinder
7	591445	1	GASKET, Cylinder Head
12	-----	1	GASKET, Crankcase -(Part information located in Crankcase Cover/Sump Group.)
13	590639	4	SCREW -(Cylinder Head)
20	-----	1	SEAL, Oil -(Part information located in Crankcase Cover/Sump Group.)
33	591448	1	VALVE, Exhaust
34	591447	1	VALVE, Intake
35	590650	1	SPRING, Valve -(Intake)
36	590650	1	SPRING, Valve -(Exhaust)
40	590654	2	RETAINER, Valve
45	591449	2	TAPPET, Valve
51	590612	1	GASKET, Intake
51A	590613	1	GASKET, Intake
53	-----	1	STUD -(Part information located in Carburetor Group.)
155	592874	1	PLATE, Cylinder Head
163	-----	1	GASKET, Air Cleaner -(Part information located in Air Cleaner Group.)
238	590649	2	CAP, Valve
296	-----	2	STUD -(Muffler) (Part information located in Exhaust Group.)
337	691043	1	PLUG, Spark
358	-----	1	GASKET SET, Engine -(Part information located in Crankcase Cover/Sump Group.)
383	590721	1	WRENCH, Spark Plug
718	-----	2	PIN, Locating -(Part information located in Cylinder Group.)
830	590653	1	STUD, Rocker Arm
868	590648	1	SEAL, Valve
883	-----	1	GASKET, Exhaust -(Part information located in Exhaust Group.)
914	590850	4	SCREW -(Rocker Cover)
1022	797194	1	GASKET, Rocker Cover
1023	592903	1	COVER, Rocker
1026	590658	2	ROD, Push
1029	590651	2	ARM, Rocker



## Exhaust Group

REF NO	PART NO	QTY	DESCRIPTION
296	590631	2	STUD -(Muffler)
300	594954	1	MUFFLER
836	590711	4	SCREW -(Muffler Guard)
883	591156	1	GASKET, Exhaust
1177	590632	2	NUT -(Muffler)
1302	596668	2	WASHER -(Muffler Guard)
1449	590633	2	WASHER -(Muffler)

Not For Reproduction

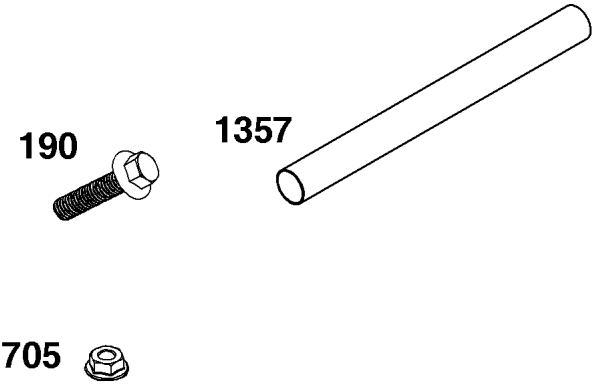
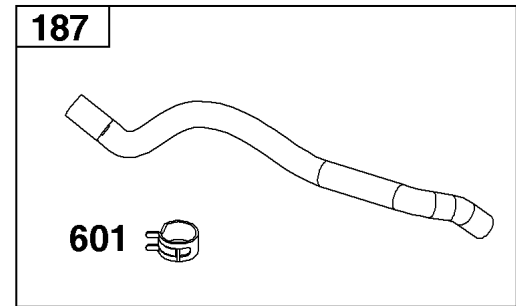
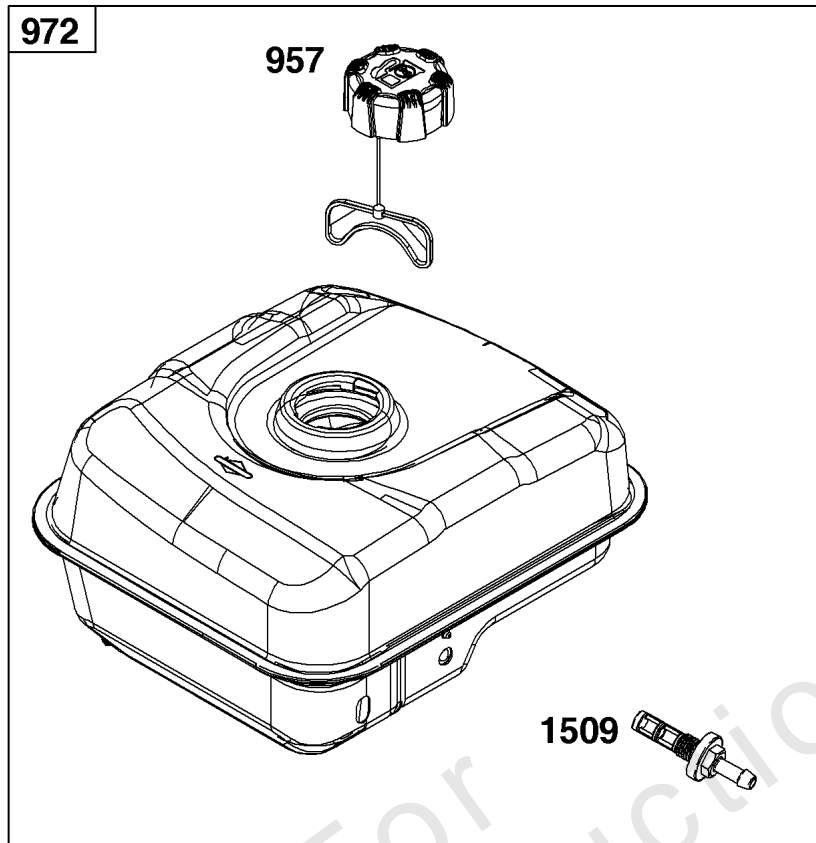


65 

## ***Flywheel, Ignition, and Starter Group***

<b>REF NO</b>	<b>PART NO</b>	<b>QTY</b>	<b>DESCRIPTION</b>
23	590681	1	FLYWHEEL
37	595436	1	GUARD, Flywheel
58	693389	1	ROPE, Starter -(Cut To Required Length)
65	590683	3	SCREW -(Rewind Starter)
78	590643	1	SCREW -(Flywheel Guard)
332	590635	1	NUT -(Flywheel)
333	590603	1	ARMATURE, Magneto
334	590644	1	SCREW -(Magneto Armature)
455	590682	1	CUP, Flywheel
608	590607	1	STARTER, Rewind
1005	590679	1	FAN, Flywheel

Not For Reproduction



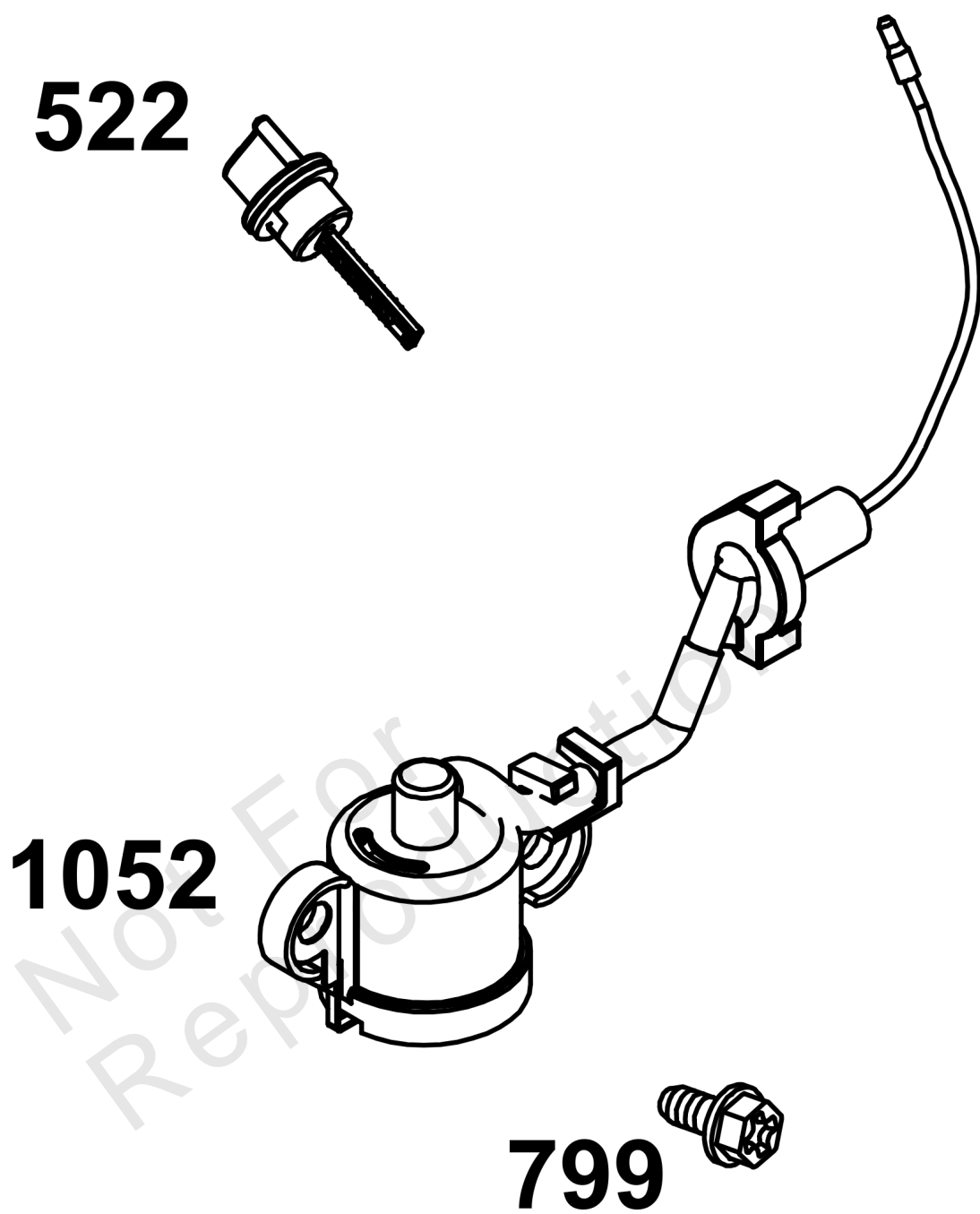
Not For  
Reproduction



## Fuel Supply Group

REF NO	PART NO	QTY	DESCRIPTION
187	791766	1	LINE, Fuel
190	591476	1	SCREW -(Fuel Tank)
601	791850	2	CLAMP, Hose
705	590692	2	NUT -(Fuel Tank)
957	799324	1	CAP, Fuel Tank
972	595650	1	TANK, Fuel
1357	590688	1	SLEEVE, Fuel Line
1509	-----	1	OUTLET, Tank -(Not Available Individually) (See Reference 972 For Replacement)

Not For Reproduction



## *Lubrication Group*

REF NO	PART NO	QTY	DESCRIPTION
522	590716	2	PLUG, Dipstick/Fill
799	590703	2	SCREW -(Oil Sensor)
1052	594950	1	SENSOR, Oil

Not For Reproduction

## Replacement Engine - US & Canada

REF NO	PART NO	QTY	DESCRIPTION
	13R2320001F1		ENGINE
	-----		Idle Speed: 1450
	-----		Top No-Load Speed: 3800
	-----		Service Note: Transfer the Governor Spring and Governor Idle Spring to the replacement engine.

Not For Reproduction

